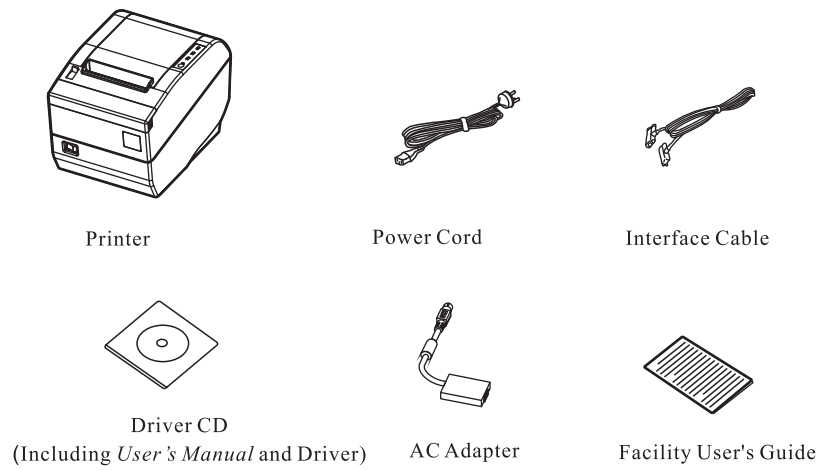


Read all of these instructions carefully before using the printer.

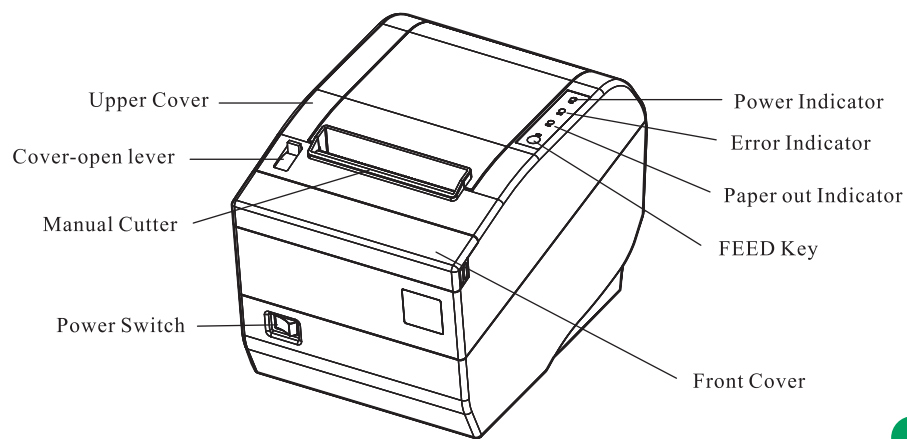
1. Unpacking & Checking



2. Removing the Protective Materials

1. Open the packing box, take out the printer.
2. Save all the original packing materials so that they can be used when transporting the printer.

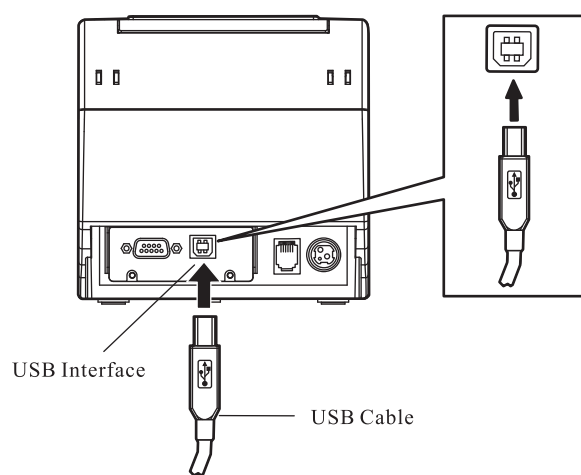
3. Main Parts of the Printer



Connecting the USB Cable

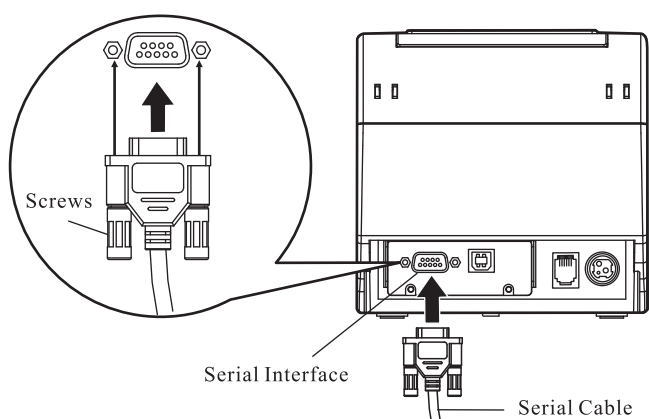
1. Plug the USB cable A end (flat shape) into the computer's USB interface.
2. Plug the USB cable B end (square shape) into the printer's USB interface.

Note: Please don't impact the USB cable after connecting it.



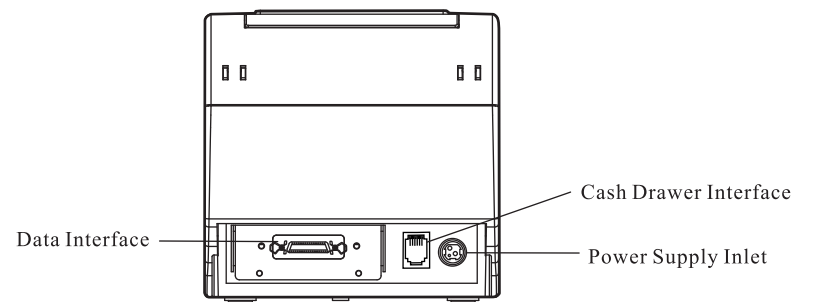
Connecting the Serial Cable

1. Make sure the computer and the printer are both turned off, connect the serial cable to the connector of the printer. Tighten the screws.
2. Connect the other end of the cable to the computer's serial interface and tighten the screws.



Connecting the Ethernet Cable

1. Plug the crystal end of the Ethernet cable (RJ-45) into the printer's Ethernet interface.
2. Plug the other end of the Ethernet cable into the LAN's entrance.



Interface

The products of this series are configured with a cash drawer interface, you can choose one of the following data interfaces when purchasing this printer.

- Parallel interface (BP-003BP)
- USB + Serial interfaces (BP-003BU/BP-003BR)
- USB + Ethernet interfaces (BP-003BN)
- USB interface + Bluetooth (BP-003BT)
- USB interface + Wi-Fi (BP-003BF)

Note: Please contact the local dealer to change the interface with added expense if needed.

Please refer to the *user's manual* for the detailed setting instructions of Ethernet interface, Bluetooth interface and Wi-Fi.

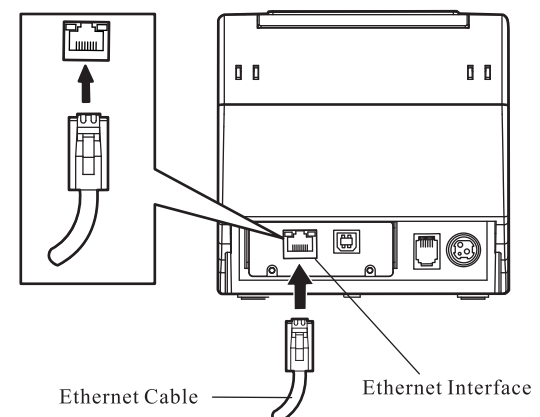
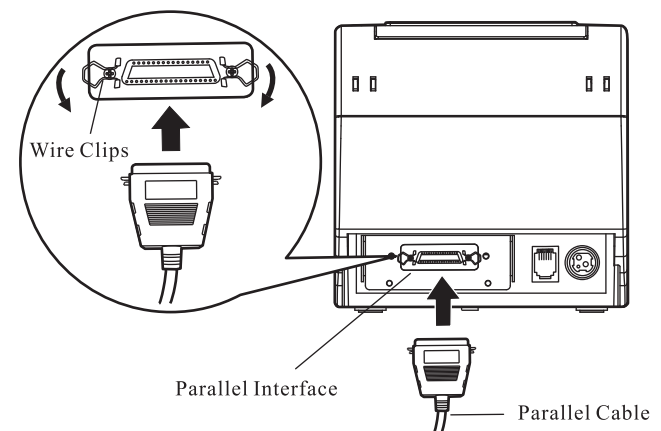
*According to specific interface standards

4. Connecting Computer or Other Equipment

Note: Before connecting or disconnecting the parallel cable, serial cable or cash drawer cable, make sure that the power of the printer is turned off. Only after tightening the interface cable should you turn on the printer, or else it may damage the printer.

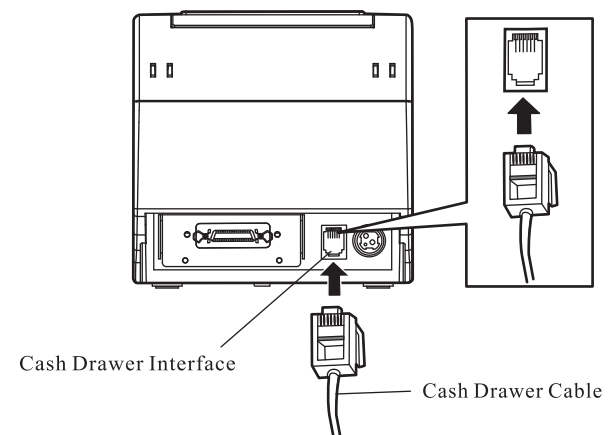
Connecting the Parallel Cable

1. Make sure the computer and the printer are both turned off, connect the parallel cable to the connector of the printer and then fasten the wire clips.
2. Connect the other end of the cable to the computer. Tighten the connector screws.



Connecting the Cash Drawer Cable

Turn off the printer and plug one end of the cash drawer cable into the cash drawer interface on the back of the printer and the other end connects to cash drawer.

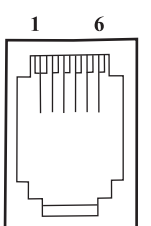


5. Cash Drawer Specification

Note: Make sure the cash drawer meets the specification mentioned below, or else manufacturer will not honor warranty when using improper cash drawer.

Pin number	Signal	Direction
1	Frame GND	---
2	Drawer drive signal	OUT
3	Drawer open/closed signal	IN
4	24VDC	OUT
5	Drawer drive signal	OUT
6	Drawer open/closed signal GND	---

Drive Current ≤ 24V/1A

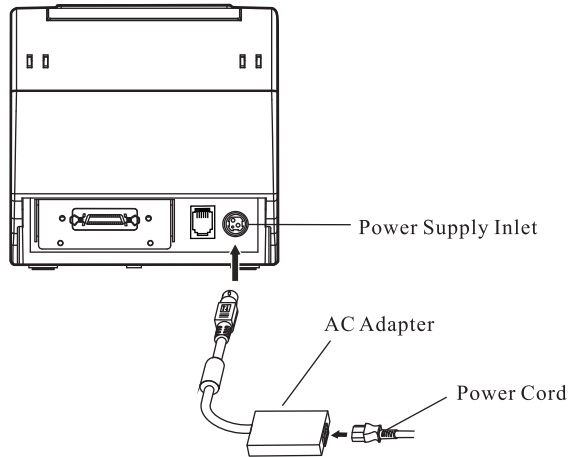


6. Connecting the Power Cord

1. Make sure the printer is turned off. (O mark on the power switch is pressed down).
2. Make sure the voltage of the electrical outlet matches that of the AC adapter.
3. Plug the AC adapter into printer's power supply inlet.
4. Plug one end of power cord into the AC adapter, and then plug the other end of power cord into the grounded electrical outlet.

Caution: 1. If the rated voltage doesn't match the outlet voltage, contact your dealer for assistance. Do not plug in the power cord.

2. Please use the electrical outlet connecting the ground properly.
3. Please use original AC adapter only, or else, manufacturer will not honor warranty when using unauthorized AC adapter.



7. Paper Specification

Type	TF50KS-E (Japan paper co.ltd) AF50KS-E (JUJO THERMAL)
Width	79.5 ± 0.5 mm
Maximum Diameter	Φ80 mm
Weight	53 ~ 80 g/m ²
Suggestion	Inner diameter of paper shaft: Φ12 mm Outer diameter of paper shaft: Φ18 mm

9. Installing the Driver

Please use the interface cable to connect computer with printer, then turn on the computer and the printer, put the driver CD into the CD-ROM, install driver by the following way.

Auto-installing way

Double click the file "Setup.exe" in the driver disc, install driver by the following guide.

Hand operated installing way

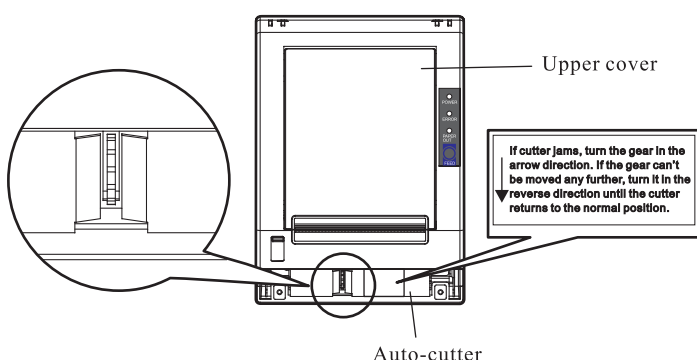
The flow of hand operated parallel interface installing driver on windows 2000/XP/Vista system is as follows, please refer to the *User's Manual* about another systems.

1. Click "Start" → "Settings", select "Printers".
2. Click "Add Printer", then a window of "Add Printer Wizard" pops up, click "Next", then please read the select guide carefully, for instance, select "Local printer" in the "Local or Network Printer" window, then click "next".
3. A window of "Select the Printer Port" pops up, select a usable port. For instance, select "LPT1: (the recommended printer port)", click "Next".
4. A window of "Manufacturers/Printers" pops up, click "Install From Disk".
5. A window of "Install From Disk" pops up. Please according to the operating system environment you should select the path as follows: CD-ROM → "Driver" → "WIN2000(XP-Vista-Win7)", click "Open", then click "OK", select the respective model, click "Next".
6. Follow the guide to click "Next" gradually till the installation is finished.

Note: You must use hand operated installing way for windows98, please refer to *User's Manual* for details.

10. Auto-Cutter Jammed or Error

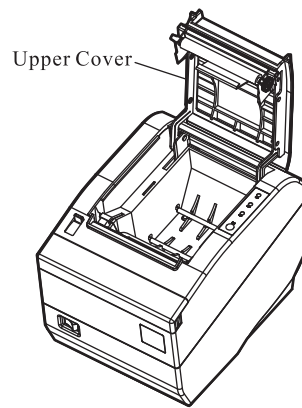
When the auto-cutter is jammed by paper, please open the upper cover of the printer and take out the jammed paper. If the upper cover can not be opened, as well as the auto-cutter still can not return to the normal position after the printer is restarted, please pull out the front cover which locates above the auto-cutter to expose the auto-cutter. Then turn the gear in the arrow direction. If the gear can't be moved in the arrow direction, don't force it, please turn it in the reverse direction until the auto-cutter returns to the normal position.



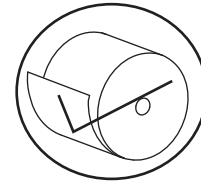
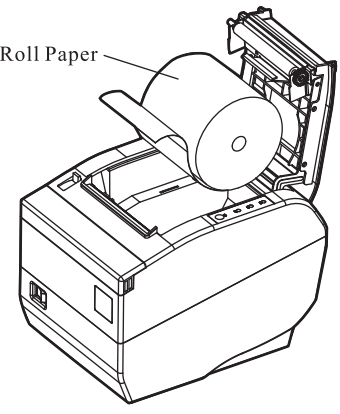
7

8. Installing the Roll Paper

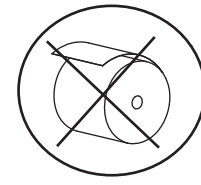
1. Pull the cover-open lever, open the upper cover.



2. Insert the roll paper as shown below.



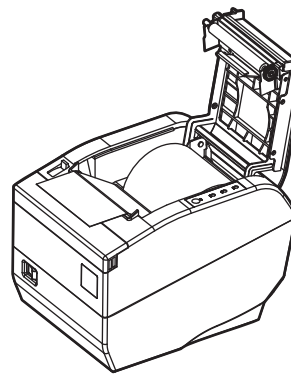
Correct



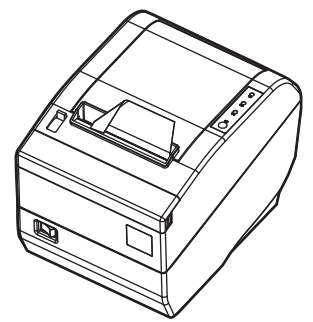
Error

Note: Paper head should be pulled out by the direction of paper-input slot, but not the opposite.

3. Pull out a small amount of paper.



4. Put the paper as shown below, and then close the cover.



Note: 1. After finishing installing the paper, if PAPER OUT indicator and ERROR indicator are still on, or the printer makes strange noise when feeding paper, please open the cover and re-close it tightly.

2. To extend the printer life, do not print the full line black mark continuously over 2cm.

6

11. Control Panel

There are three indicators and one key on the control panel.

Key	Function
[FEED]	[FEED] controls paper feeding, you can enable or disable the button's function with a command. When enable, the paper will be fed continuously if you press and hold on it, or stopped if you loosen it.

Indicator	Description
POWER	Indicate whether the printer's power supply is connected or not. The indicator is on when the power is connected.
ERROR	Indicate printer's state. The indicator is on when the abnormality appears.
PAPER OUT	Indicate printer's paper state. The indicator is on when paper out or is about to end.



12. Error Message on the Panel

ERROR Indicator	PAPER OUT indicator	Malfunction	Solution
Blink fast	OFF	Auto Cutter error	Reposit the auto cutter
ON	OFF	Top cover is open	Close the cover tightly
OFF	Blink	Paper is about to end	Load the paper again
ON	ON	Paper out	Load the paper again
Blink	OFF	Print head overheating	Recover automatically

13. Printer Maintenance

Cleaning periodically and the cleaning tool

Periodical cleaning: every six months or every 300 working hours once.
Cleaning tool: dry cloth (please use soft cloth to clean metal parts.)

Cleaning the spare parts and paper channel

Please clean the oil covered spare parts with a piece of dry cloth. Wiping off wasted paper and cleaning dirt and dust.

Cleaning the photoelectric sensor part

As the paper feed sensor use a correlation photoelectric sensor. You should clean the parts periodically. Clean the photoelectric sensor's protect cover every three months.

Note: 1. Turn off printer and pull out the power cord before cleaning.

2. If you have just finished using the printer, let the print head cool for a few minutes before you touch it.
3. Don't use hard cloth or flammable solvent to clean the printer.

8